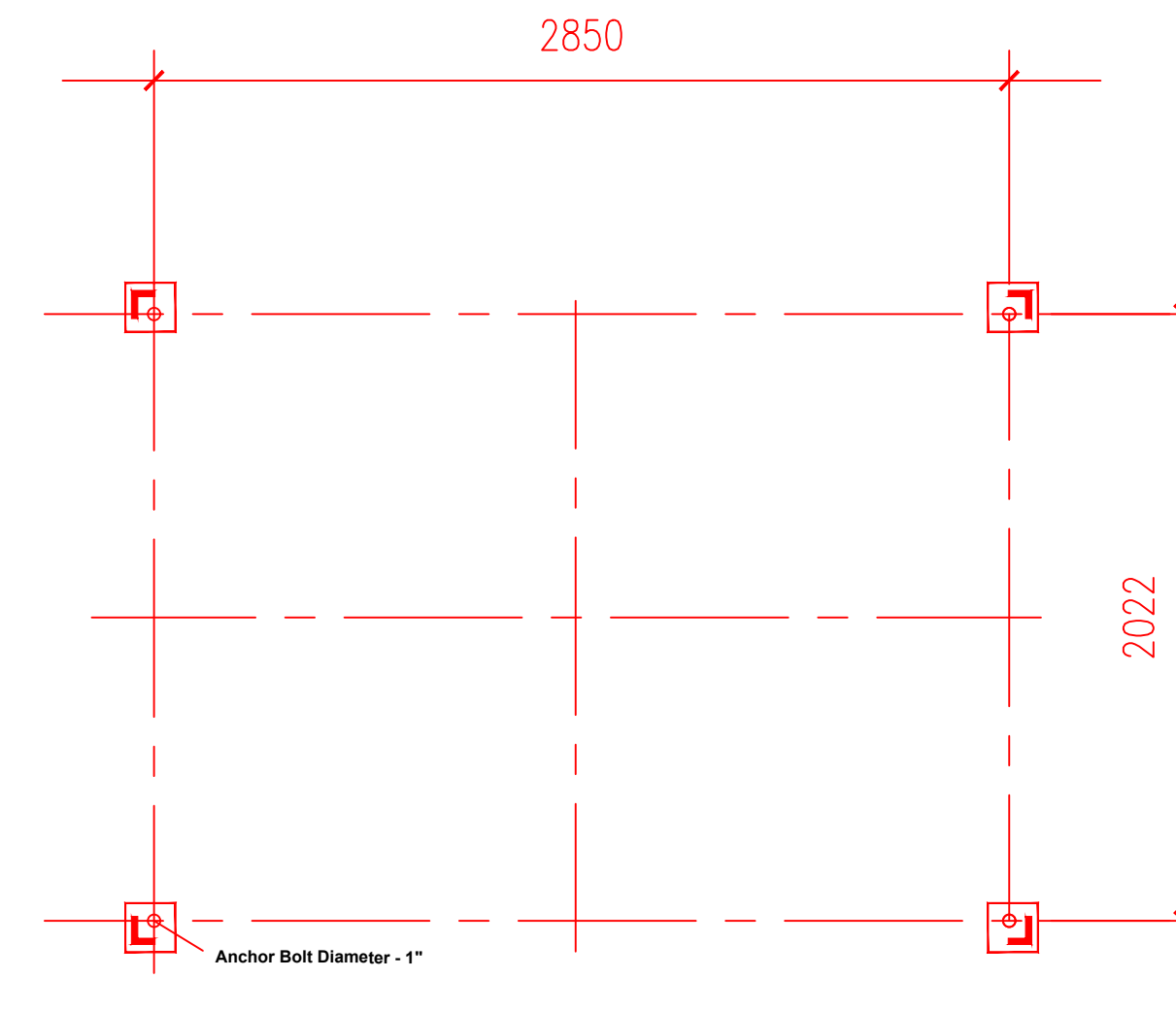
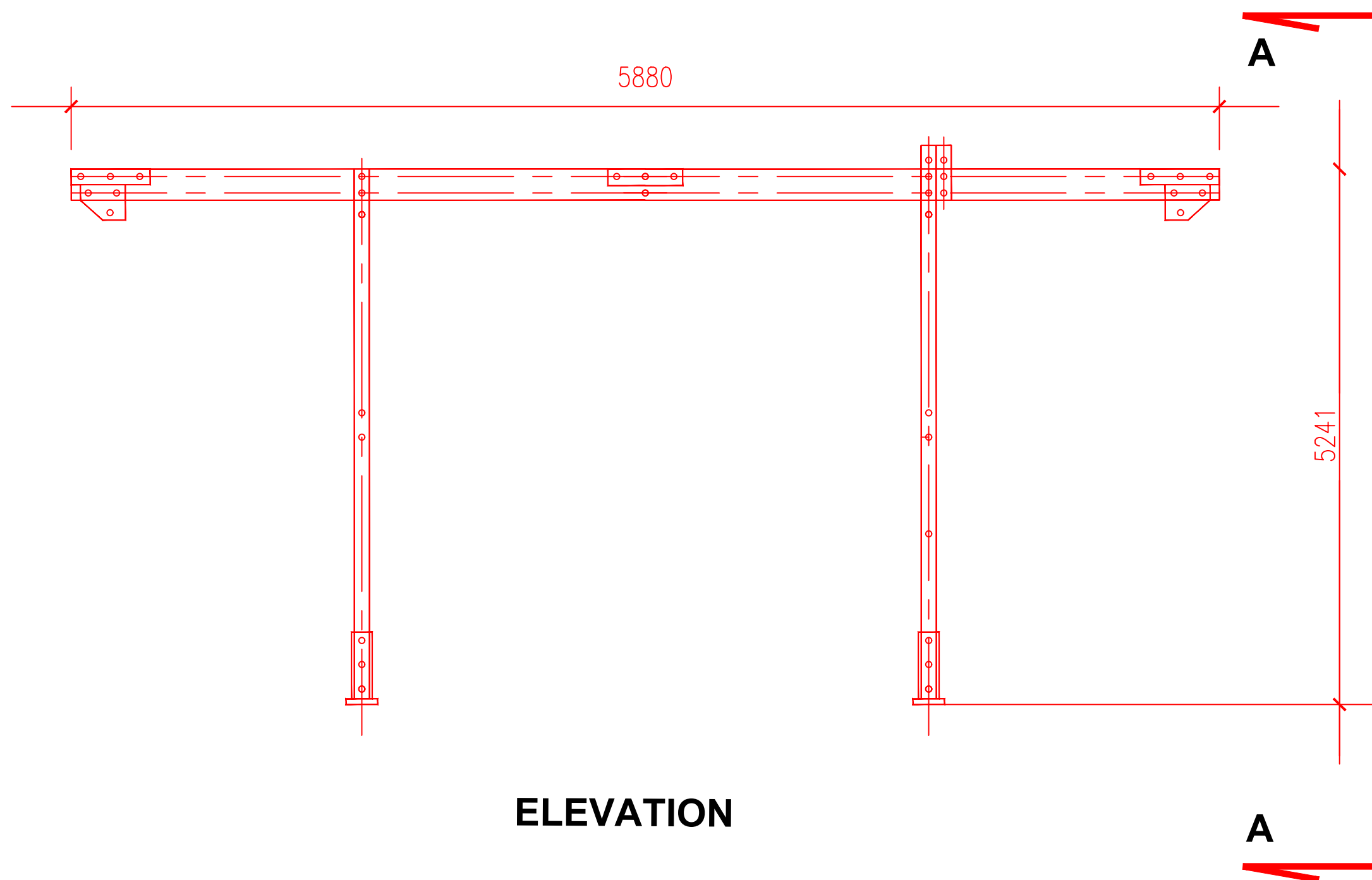


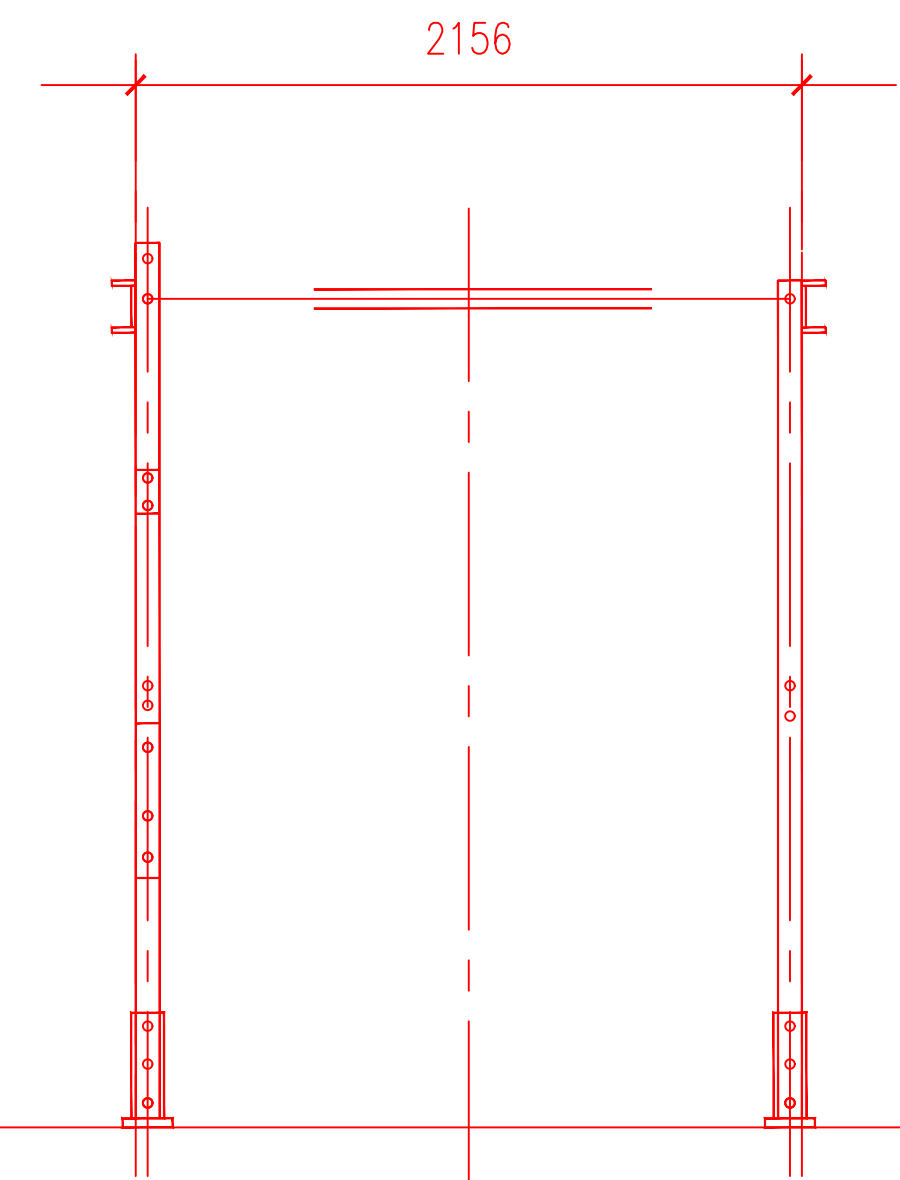
PLAN VIEW



ANCHOR BOLT LAYOUT



ELEVATION



END VIEW A-A

# BES9  
SWITCH STAND

DWG. SCALE:--	DESIGNED BY:--	DRAWING NO.	REV.
PLOT SCALE:	DRAWN BY:--	598-91-BE9D-HHS	1
SUPERSEDES:--	CHECKED BY:--	PROJECT NUMBER:	
DATE:--	APPROVED BY:--		